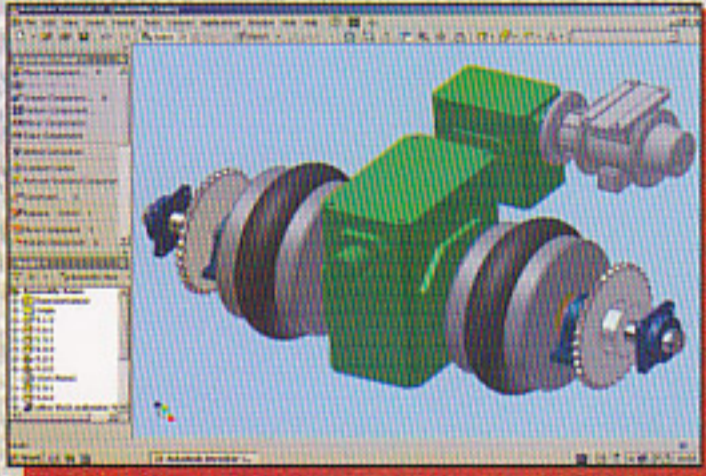
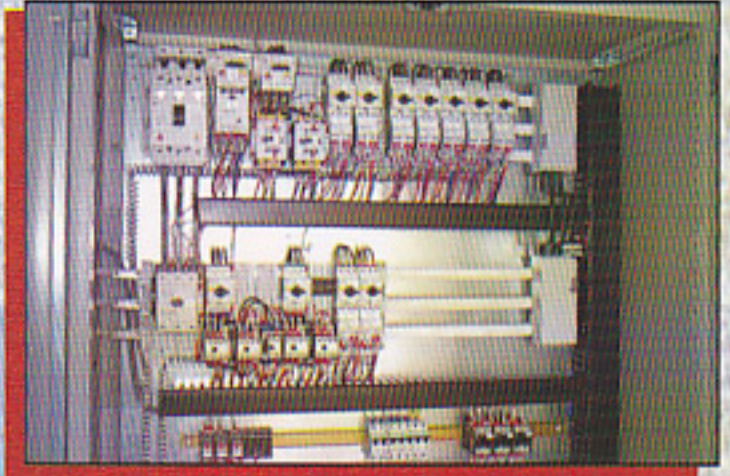


# MONOCON ENGINEERING SERVICES



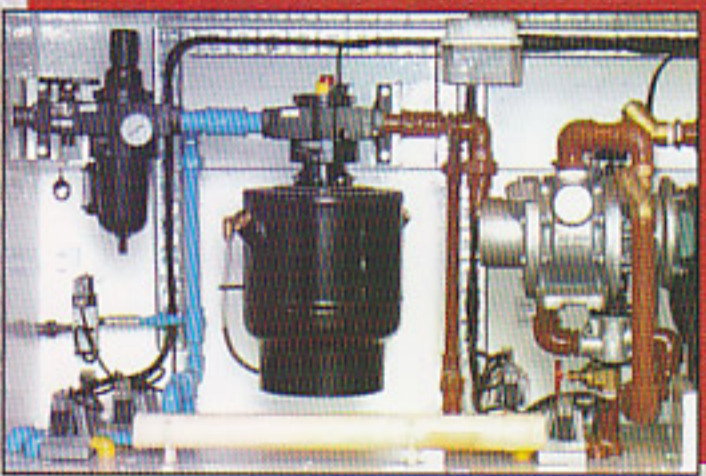
*DESIGN*



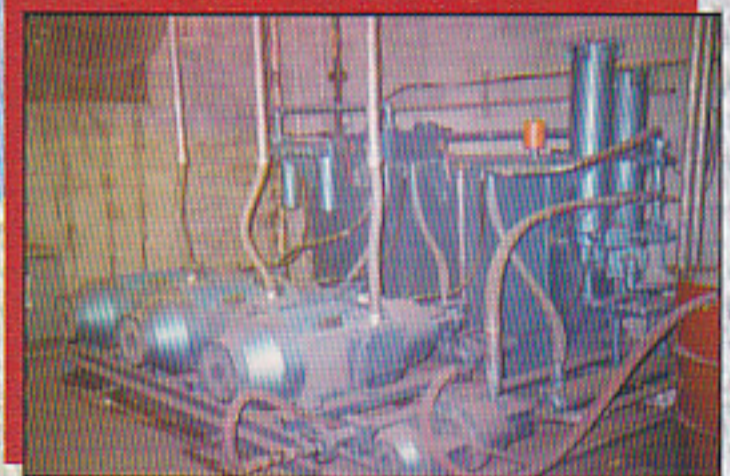
*ELECTRICAL*



*BUILD*



*PNEUMATICS*



*HYDRAULICS*

# MONOCON

**DEDICATED TO CLEAN STEEL**

# MONOCON

## ● INTRODUCTION

*Our aim is to provide a complete engineering solution to all forms of industry sectors. By developing a close working relationship with our clients we can use our extensive knowledge to manage both large and small projects, on time and within budget.*

*We have completed many projects over the years, both domestic, abroad and of varying scales and complexities, thus allowing us to be able to tender for the design, build, and installation of equipment in its entirety, or even a part of it.*

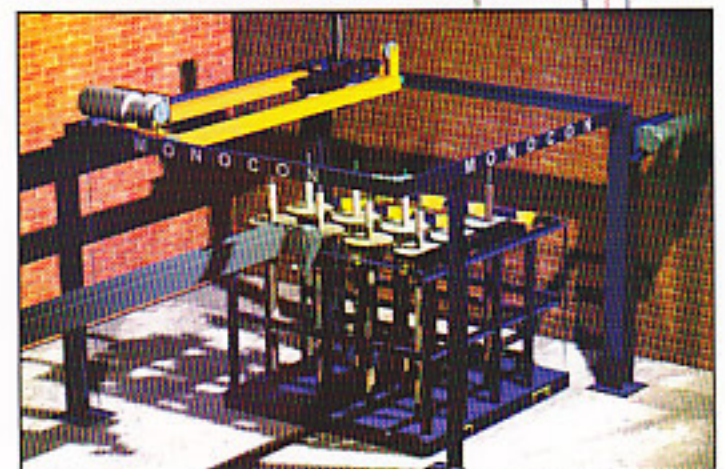
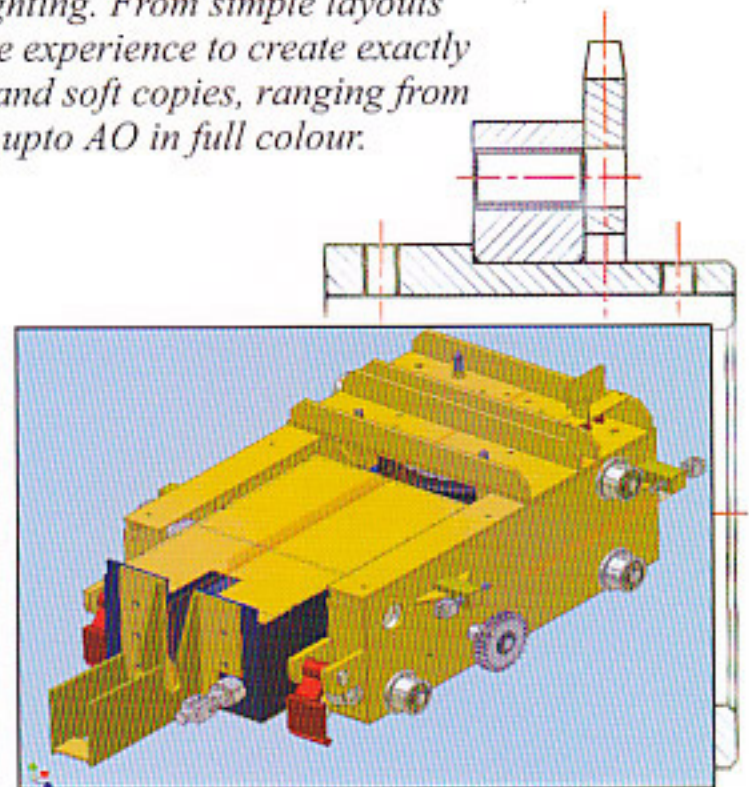
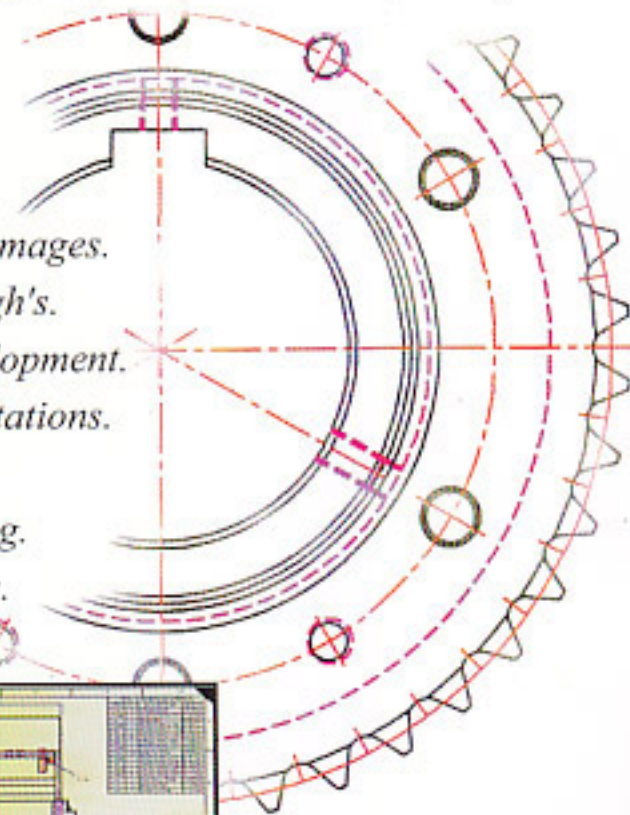
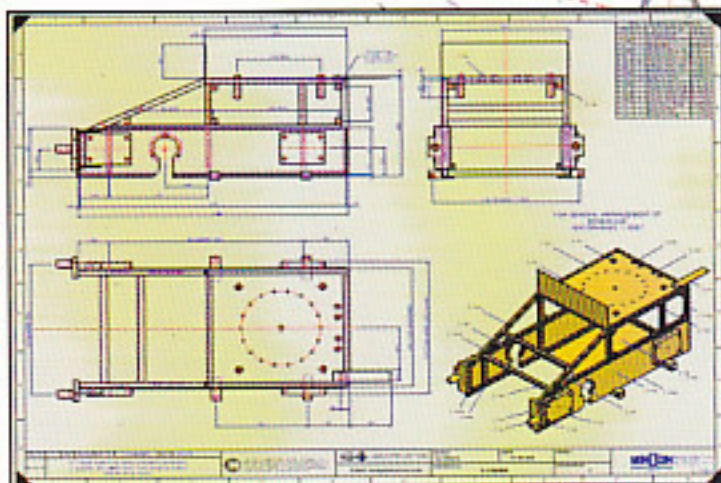
*Flexibility is the key to our success and allows us to keep the edge and yet remain very competitive. Alternatively, we can provide competitive day rates for all our services upon request.*

## ● DESIGN FACILITY

*Our design department can provide both 2D and 3D designs and draughting. From simple layouts to complex 3D models and animations we have both the software and the experience to create exactly what you require when you need it. Output can be in the forms of hard and soft copies, ranging from dwg, dwf dxf ipt, bmp and avi digital formats as well as prints from A4 upto AO in full colour.*

*Typical services include:-*

- 3D modelling.
- Photo-realistic rendered images.
- Animations & Walkthrough's.
- Concept design and development.
- Sales & Technical presentations.
- Site Layouts.
- 2D draughting & detailing.
- Engineering Calculations.



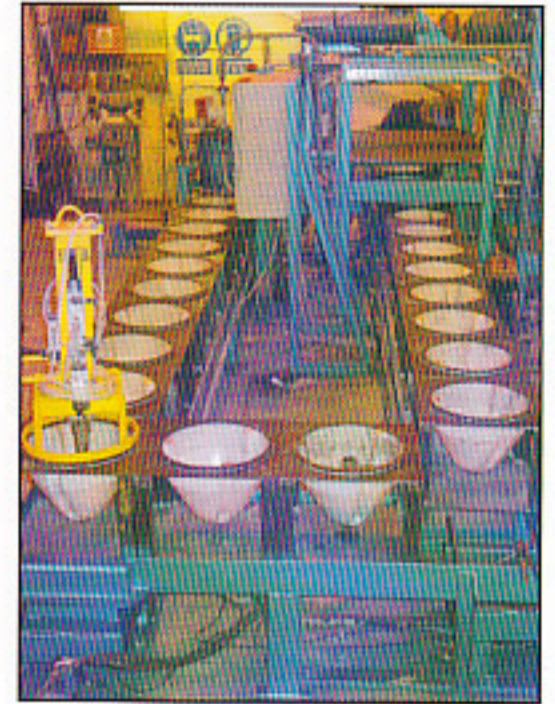
# ENGINEERING SERVICES

## ● BUILD

Among our manufacturing facilities we have a spacious workshop which comprises of a large overhead crane and includes fork lift truck capacity in order to cope with small, medium and large fabrications and assemblies. We have the capacity and capability to handle various kinds of jobs ranging from a simple fabrication to a fully automated assembly line.

Typical services include :

- Mechanical build and assembly.
- Fabrication and machined components.
- Integrated mechanical, pneumatic and electrical assemblies.
- Site installation and commissioning.
- Inspection and testing prior to delivery.

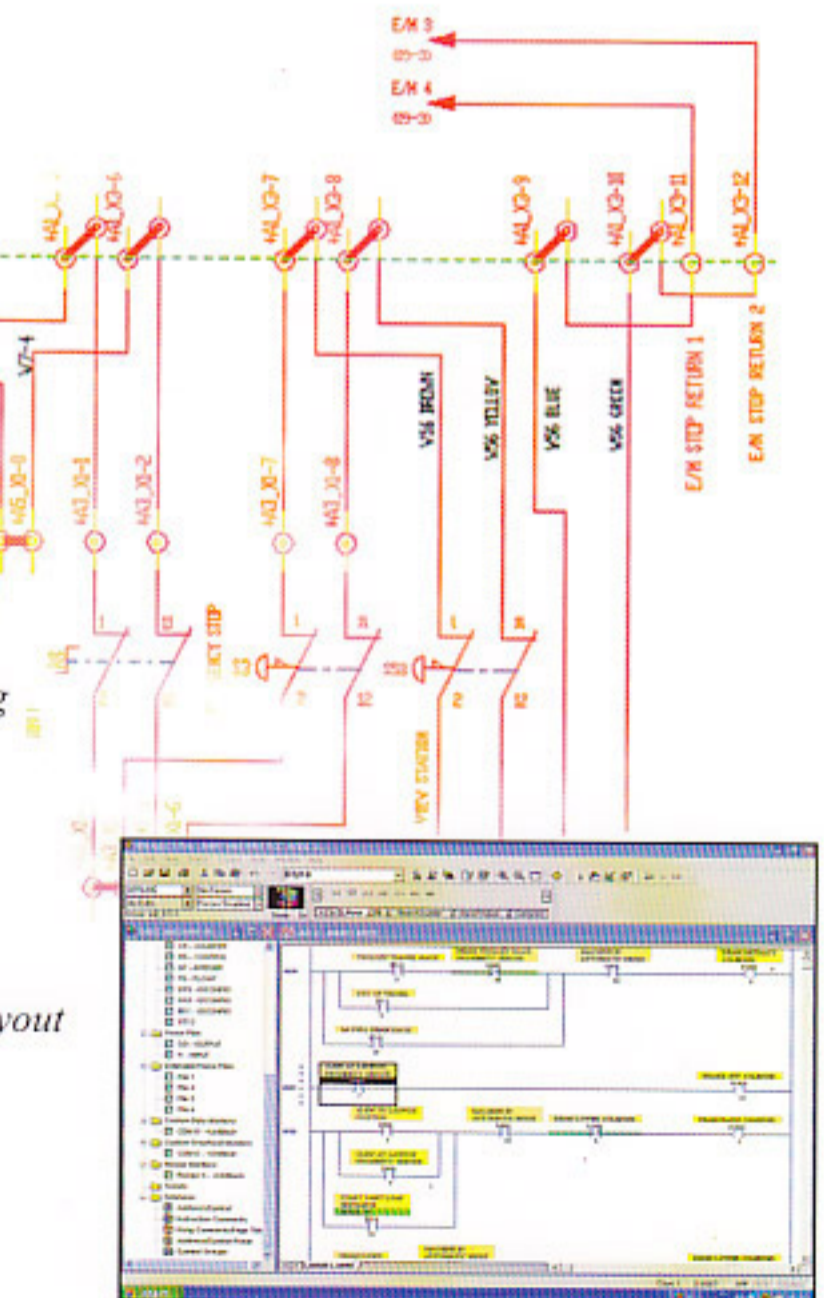


## ● ELECTRICAL

Our electrical department has a team of highly skilled electrical engineers, with experience in many fields. From panel building to fully programmed equipment with interactive graphical interface we have the capability to provide according to your specification.

Typical services include:-

- Electrical panel building and installation. Work carried out to all current BSEN standards as well as international standards where required.
- Complete rewiring of existing equipment to 16th edition wiring regulations and BS 7671.
- All testing carried out to BS 2391.
- PLC programming. (Siemens, Allen Bradley & Mitsubishi.)
- Development of SCADA and HMI systems for easy operator interaction on machinery /plant.
- All project work would be complimented with detailed CAD layout drawings to assist with installation and maintenance.
- Complete testing and installation work.
- Any bespoke project work undertaken from initial concept.
- PAT testing of equipment.



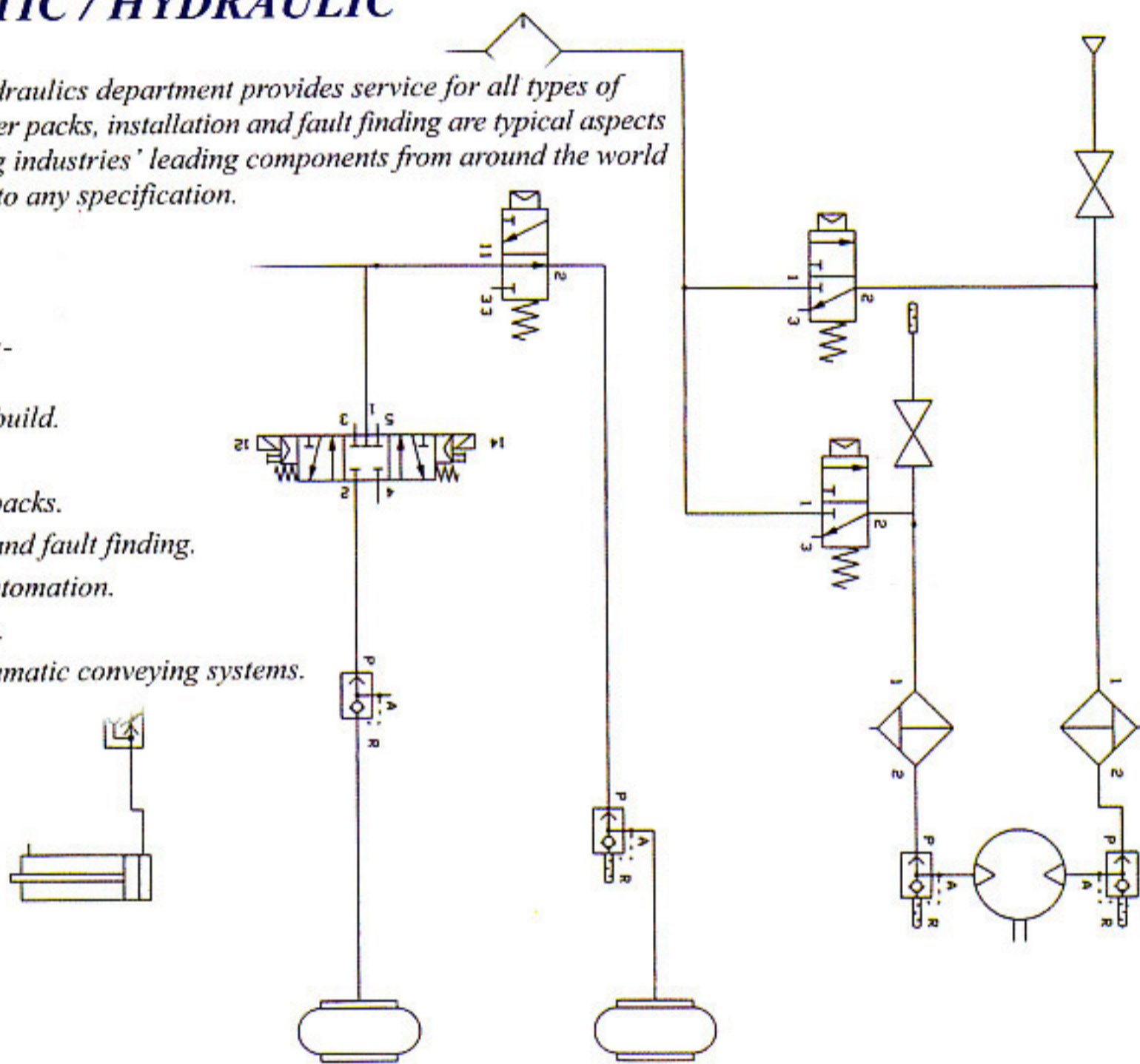
# MONOCON

## ● PNEUMATIC / HYDRAULIC

The Pneumatics and Hydraulics department provides service for all types of Industry. Pipe work, power packs, installation and fault finding are typical aspects of what we can do. Using industries' leading components from around the world equipment can be made to any specification.

Typical services include:-

- Panel design and build.
- Pipe work.
- Hydraulic power packs.
- Circuit diagrams and fault finding.
- Production line automation.
- Hose manufacture.
- Specialists in pneumatic conveying systems.



## ● QUALITY ASSURANCE

A major part of our business is the ongoing strategy to maintain the highest possible standards for our Clients. We are proud to promote the ISO 9001:2000 quality system in which all project work undertaken will be accompanied by the CE mark and technical construction documentation, to ensure of conformity to all relevant and applicable standards.